

An rogha is fearr

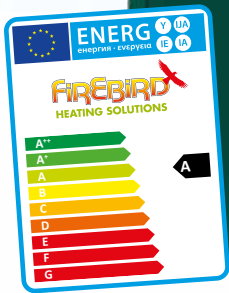
FIREBIRD



HEATING SOLUTIONS

BLUE FLAME ENVIROMAX

All the advantages of our Enviromax condensing boilers with blue flame technology



Taking Boiler
EFFICIENCY *to New Heights*



Working towards a greener planet

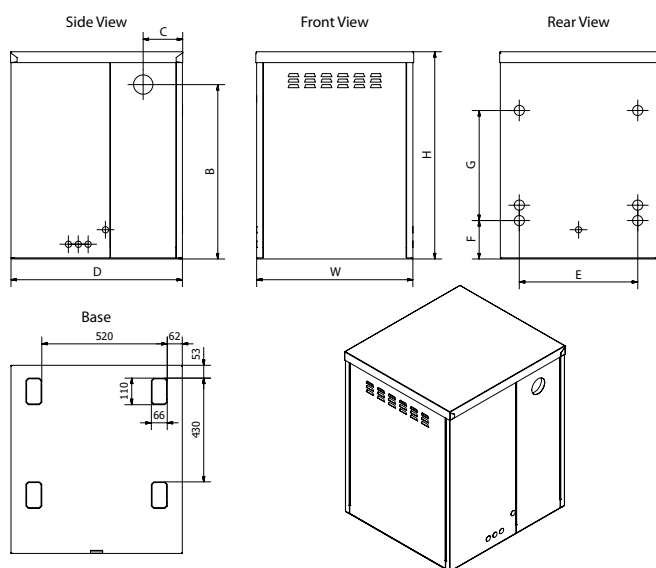
FEATURES:

- ✂ **High seasonal efficiency of 95.9%** as reflected in the SEAI's HARP database.
- ✂ Latest **"blue flame"** technology.
- ✂ **Low NOx emissions** and more friendly to the **environment**.
- ✂ **Constant efficiency** throughout the year.
- ✂ **Designed and manufactured in Cork**, to the highest quality standards.
- ✂ Improve your **BER rating** for new and existing builds.

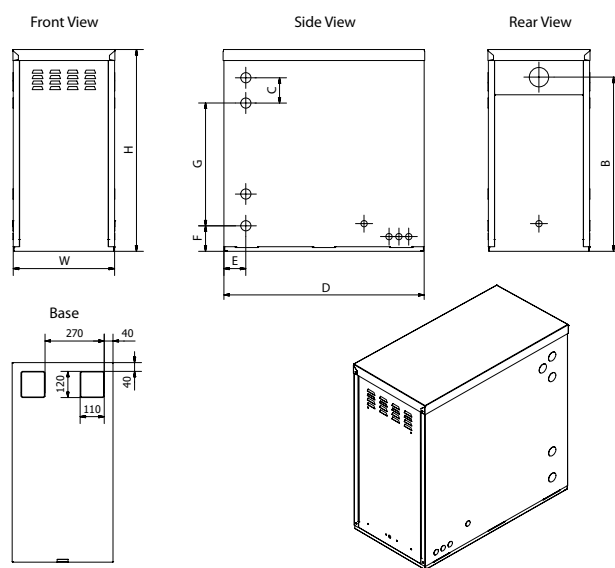


DIMENSIONS (MM)

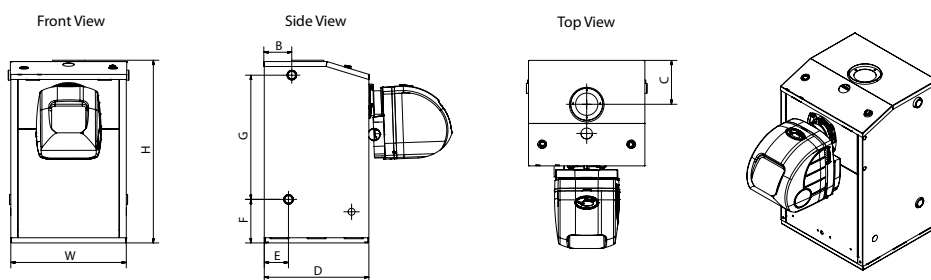
Blue Flame Enviromax Heatpac



Blue Flame Enviromax Slimline Heatpac



Blue Flame Enviromax Popular



Flues

See Firebird product guide for Popular boiler flue options. All Popular boilers are set up as a balance flue.

Flue kits are included with all Heatpac models

Model: Blue Flame Enviromax	Output kW	Sales Code	Dimensions							
			H	W	D	B	C	E	F	G
Heatpac 26	26	CON026BFB	945	720	785	795	180	540	175	502
Slimline Heatpac 26	26	CON026SBF	920	465	920	794	115	100	116	560
Popular 26	26	CPO026BFB	740	470	425	113	177	100	176	502

For information on all Firebird products, please contact your local merchant/builder provider or Firebird.

Firebird Heating Solutions Ltd.
 Údarás Industrial Estate, Baile Mhic Íre,
 Co. Cork, P12 HK51, Ireland.
 t: +353 (0)26 45253
 f: +353 (0)26 45309
 e: info@firebird.ie
www.firebird.ie

Firebird Heating Solutions Ltd.
 Shean, Forkhill,
 Newry, BT35 9SY.
 t: +44 (0)28 3088 8330
 f: +44 (0)28 3088 9096
 e: firebirdproducts@hotmail.co.uk
www.firebird.ie

Firebird Heating Solutions Ltd.
 Central Avenue, Lee Mill Industrial Estate,
 Nr. Ivybridge, Devon, PL21 9PE, United Kingdom.
 t: +44 (0)1752 691177
 f: +44 (0)1752 691131
 e: sales@firebirduk.co.uk
www.firebirduk.co.uk