



# FIREBIRD

## HEATING SOLUTIONS

### Features

- Robust cast iron design.
- Large main oven with on/off oven lever and even heat distribution.
- Cast iron lids ensure excellent heat retention.
- Warming oven.
- Thermostatically controlled.
- Easy to ignite.
- Attractive enamel finish.
- Easy to clean.
- Boiler output:
  - 15kW to heating
  - 4kW to room.

# Multifuel Range Cookers

Firebird's multifuel range cooker allows for traditional cooking with exceptional performance, perfect for your Sunday roast as well as your homemade favourites.

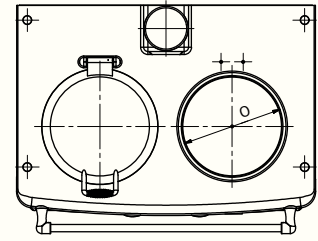
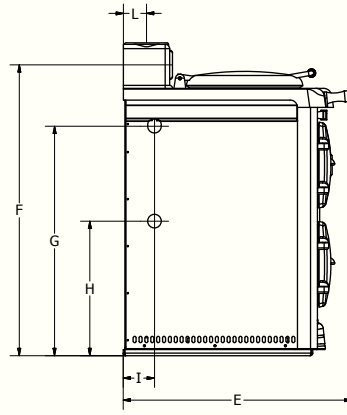
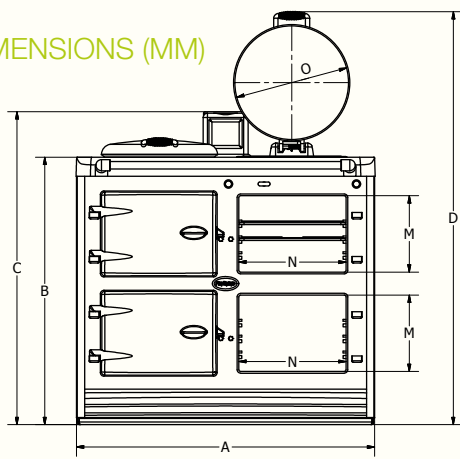
We have designed our cooker in such a way that it answers all your cooking requirements. There are two ovens with ample shelving. Roasting, baking and grilling can be done in the top oven, whereas the bottom oven is ideal as a warming oven.

The distinctive cooker design has a large fuel boiler area, providing excellent heat to your house. With an efficiency of up to 80%, the cooker is designed to Firebird's exacting standards and history of superior products.

Whether you are cooking for the family or entertaining guests, the Firebird multifuel range cooker makes it all the more enjoyable.

**WARMTH - TRADITIONAL COOKING - HOT WATER**

## DIMENSIONS (MM)



	A	B	C	D	E	F	G	H	I	L	M	N	O
<b>Metric (mm)</b>	1020	915	1070	1410	785	995	780	460	107	80	260	365	362

## TECHNICAL SPECIFICATION

<b>Fuel Type</b>	<b>Wood</b>	<b>Ancit</b>	<b>Ancit</b>
Output to Water (kW)	11.1	15.4	12.3
Output to Space (kW)	3.7	3.9	1.1
Efficiency (%)	74.0	78.5	79.5
CO (@13% O <sub>2</sub> )	0.44	0.12	0.21
BS Standard		BS EN 13229:2001	
Test Type	Intermittent	Intermittent	Continuous
Max. Water Operating Pressure:	3 bar	3 bar	3 bar

### WEIGHT

Empty (kg)	600
Full (kg)	624

### EMISSIONS OVEN

CO (mg/kWh)	0.21
-------------	------

### FLUE (mm)

	150
--	-----

## INSTALLATION

The range cooker should be installed on a solid floor or on a base of non-combustible material, capable of supporting the total weight of the cooker. Installation should always be carried out by an experienced and competent person and to the standards set out by the current Building Regulations and Electrical Wiring Regulations. Please refer to our installation manual for full details.

## SERVICING

In order to obtain the best efficiency, Firebird recommends that the cooker is serviced once a year by a competent, qualified engineer.

## WARRANTY

This Firebird product is designed and manufactured to give many years of trouble-free service. We offer a 5 year warranty on the cooker and boiler shell and 2 years warranty on all other parts, provided installation has occurred within 12 months from date of purchase. The 5 year cooker and boiler shell warranty consists of labour and parts for the first 3 years and parts only in years 4 and 5. The warranty is conditional on the cooker being commissioned and operated correctly (see instruction manual for terms & conditions).



The Firebird Multifuel Range Cooker is available in a wide range of colours.



**For information on all Firebird products, please contact your local merchant/builder provider or Firebird.**

### Firebird Heating Solutions Ltd.

Údarás Industrial Estate, Baile Mhic Íre,  
Co. Cork, P12 HK51, Ireland.

t: +353 (0)26 45253 f: +353 (0)26 45309

e: info@firebird.ie

[www.firebird.ie](http://www.firebird.ie)

[www.firebirdrangecookers.com](http://www.firebirdrangecookers.com)

### Firebird Heating Solutions Ltd.

Shean, Forkhill,  
Newry, BT35 9SY.

t: +44 (0)28 3088 8330 f: +44 (0)28 3088 9096

e: firebirdproducts@hotmail.co.uk

[www.firebird.ie](http://www.firebird.ie)

[www.firebirdrangecookers.com](http://www.firebirdrangecookers.com)

### Firebird Heating Solutions Ltd.

Central Avenue, Lee Mill Industrial Estate,  
Nr. Ivybridge, Devon, PL21 9PE, United Kingdom.

t: +44 (0)1752 691177 f: +44 (0)1752 691131

e: sales@firebirduk.co.uk

[www.firebirduk.co.uk](http://www.firebirduk.co.uk)

[www.firebirdrangecookers.com](http://www.firebirdrangecookers.com)

Photographs, Illustrations & Specifications. This catalogue was correct at the time of going to print. However, Firebird's policy is one of continuous development. The right is reserved to change specifications, colour, and prices of the models and items illustrated and described in this publication at any time. Whilst every care has been exercised in the production of this catalogue, Firebird cannot accept any liability for errors or omissions. For the latest details always consult Firebird. BRRCMF004

**WARMTH - TRADITIONAL COOKING - HOT WATER**

[www.firebirdrangecookers.com](http://www.firebirdrangecookers.com)