

An rogha is fearr

FIREBIRD



100%
IRISH

HEATING SOLUTIONS

www.firebird.ie



INSET STOVES

With over 30 years of knowledge and manufacturing experience in the heating industry, Firebird are proud to present their highly efficient inset stoves



Quality stoves designed for your comfort

Multifuel Backboiler Inset Stove



All the comfort of a stove with the benefit of heat to your house as well

Features

- 100% Irish made.
- Up to 81% efficiency.
- Designed to fit into a standard fireplace.
- Easy to install.
- Clean, easy operation.
- Solid multifuel options.
- Enamel option available.
- Suitable for airtight dwellings where underfloor, external air-in ducting is provided.
- Glass air wash design.
- Up to 12kW heat supplied to dwelling/radiators.
- Reduces your heating bills.
- Available in 12kW and 16kW.
- 5 year warranty.
- HETAS approved.

Output

12kW - Backboiler Inset Stove

- 8.3 kW to water (heating system).
- 3.6 kW heat output to space (room).
- System Efficiency of 80%.
- 16" backboiler inset stove.

16kW - Backboiler Inset Stove

- 12.1 kW to water (heating system).
- 3.6 kW heat output to space (room).
- System Efficiency of 81%.
- 18" backboiler inset stove.



Multifuel Dry Inset Stove



A stove designed for your comfort

Features

- 100% Irish made.
- Up to 75.6% efficiency.
- Designed to fit into a standard fireplace.
- Easy to install.
- Clean, easy operation.
- Solid multifuel options.
- Suitable for airtight dwellings where underfloor, external air-in ducting is provided.
- Glass air wash design.
- Up to 8.2kW heat supplied to space (room).
- Available in 6.9kW and 8.2kW.
- 5 year warranty.
- Hetas approved.

Output

6.9kW - Dry Inset Stove

- 6.9kW heat output to space (room).
- Efficiency of up to 74.4%.
- 16" dry inset stove.

8.2kW - Dry Inset Stove

- 8.2kW heat output to space (room).
- Efficiency of up to 75.6%.
- 18" dry inset stove.



Smoke Exempt Wood Burning Dry Stove



Free flue adapter included!

Ideal for a new build and to assist with BER compliance

Features

- 100% Irish made.
- 5kW dry stove.
- Up to 75.9% efficiency.
- Wood burning stove.
- Clean burn technology.
- Easy to install.
- Clean, easy operation.
- Suitable for airtight dwellings where underfloor, external air-in ducting is provided.
- Up to 5kW heat supplied to space (room).
- Glass air wash design.
- 5 year warranty.
- Smoke exempt DEFRA approved.
- Hetas Approved.

Output

5kW - Smoke Exempt Wood Burning Dry Stove

- 5kW heat output to space (room).
- Efficiency of up to 75.9%.
- 18" smoke exempt wood burning dry stove



INSTALLATION AND SERVICING: Firebird inset stoves should be installed, serviced and commissioned by a HETAS approved or competent, qualified engineer and in accordance with the Firebird stove manual and all local regulations, including those referring to national and European standards. Multifuel refers to solid fuels such as wood, smokeless coal and anthracite. A flue draught test should be carried out on the chimney where a draught of at least 12 Pa is achieved.
WARRANTY: Our inset stoves are designed and manufactured to give many years of trouble free service. We provide a comprehensive warranty of 5 years on the inset stove shell and a 2 year warranty on other parts from date of installation, provided installation has occurred within 12 months from date of purchase. See Firebird inset stove manual for full details. Full terms and conditions of Firebird's warranty programme can also be viewed on www.firebird.ie

Technical Specification

Backboiler Inset Stove	Product	Sales Code Matt	Sales Code Enamel	System Output	Room Output	Efficiency	No. of Standard Radiators	Height	Inset Width	Depth
	12kW	MAX016000	MAX016NML	8.3kW	3.6kW	80%	6	560	406-470	375
	16kW	MAX018000	MAX018NML	12.1kW	3.6kW	81%	9	560	455-520	375

Dry Inset Stove	Product	Sales Code Matt	Room Output	Efficiency	Height	Inset Width	Depth
	6.9kW	MAX016DRY	6.9kW	74.4%	560	406-470	375
	8.2kW	MAX018DRY	8.2kW	75.6%	560	455-520	375

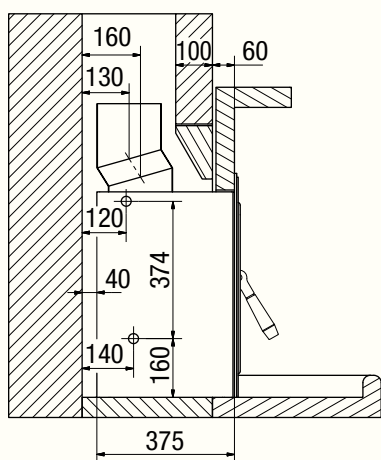
Smoke Exempt Wood Burning Inset Stove	Product	Sales Code Matt	Room Output	Efficiency	Height	Inset Width	Depth
	5kW	MAX005SED	5kW	75.9%	560	455-520	375

* Room seal kit available
 - 16" - ACC016RSK
 - 18" - ACC018RSK

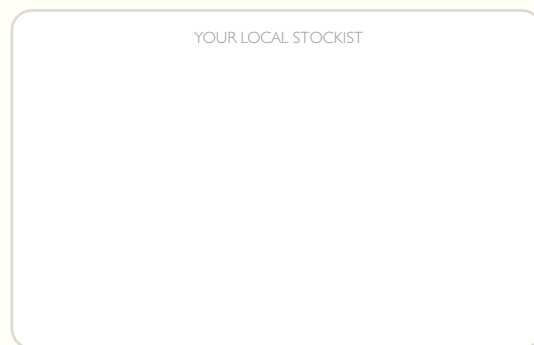
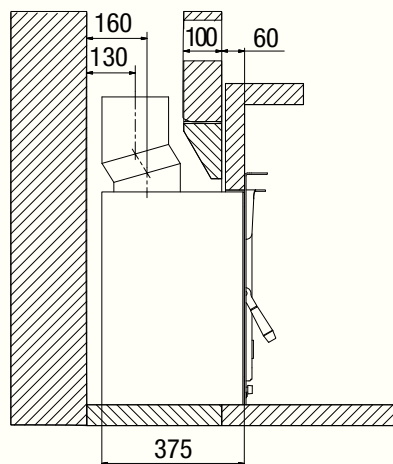
Note: Outer face framework is not taken into account. Dimensions are measured from pipe socket to socket, ie. 16" from outer pipe connection to outer pipe connection.

Dimensions (mm)

Backboiler Inset Stove

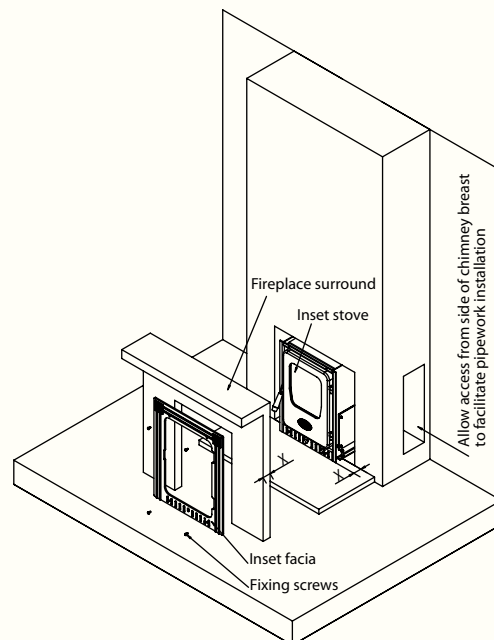
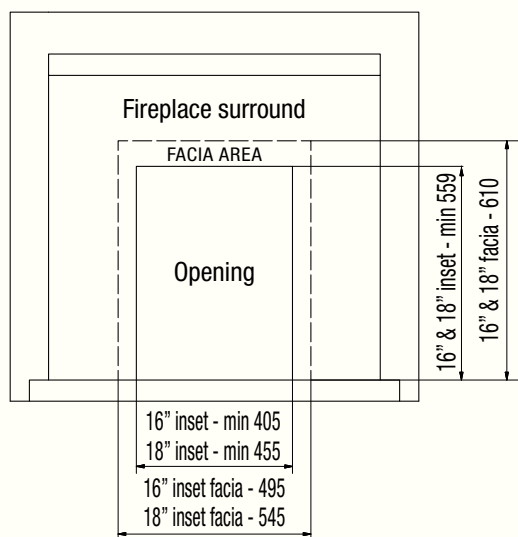


Dry & Smoke Exempt Wood Burning Inset Stove



For information on all Firebird products, please contact your local heating & plumbing outlet.

Backboiler, Dry & Smoke Exempt Wood Burning Inset Stoves



Firebird Heating Solutions Ltd.

Údarás Industrial Estate, Baile Mhic Íre, Co. Cork, P12 HK51, Ireland.

t: +353 (0)26 45253 f: +353 (0)26 45309 e: info@firebird.ie

www.firebird.ie

Photographs, Illustrations & Specifications. This catalogue was correct at the time of going to print. However, Firebird's policy is one of continuous development. The right is reserved to change specifications, colour, and prices of the models and items illustrated and described in this publication at any time. Whilst every care has been exercised in the production of this catalogue, Firebird cannot accept any liability for errors or omissions. For the latest details always consult Firebird. ISBRRO1004

Quality stoves designed for your comfort