

# FIREBIRD



## HEATING SOLUTIONS

# Oil Fired Range Cookers



**WARMTH - TRADITIONAL COOKING - HOT WATER**



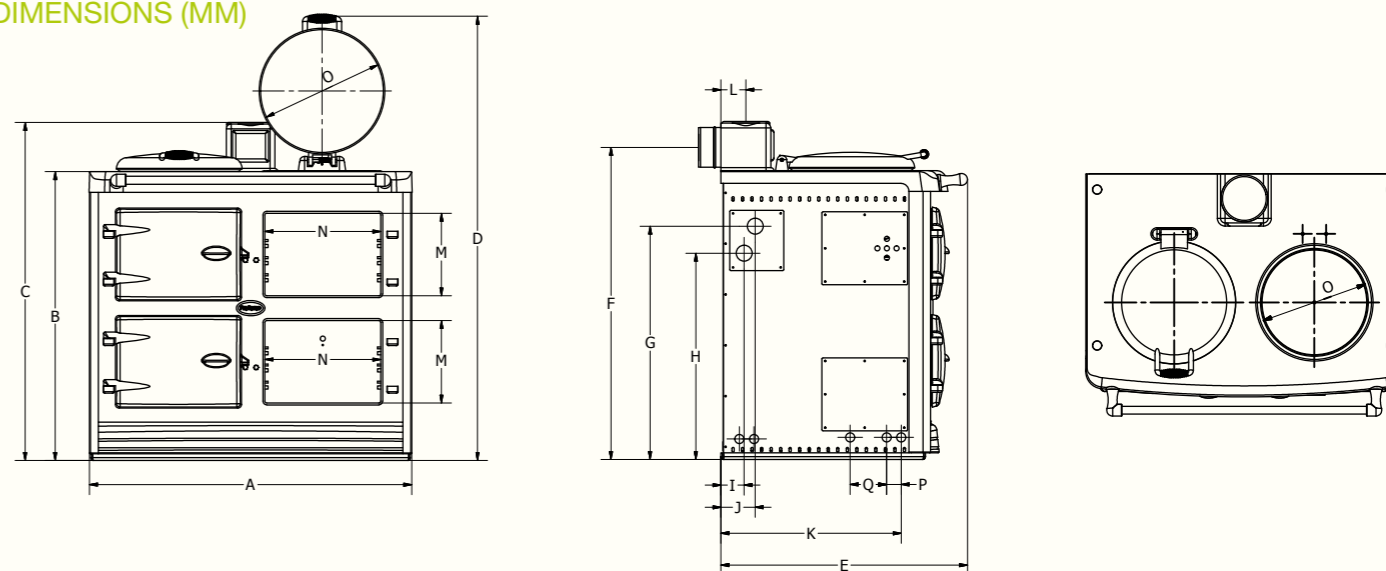
### FEATURES

- Highly efficient on fuel consumption.
- Robust cast iron design.
- Large main oven with even heat distribution.
- Warming oven.
- Heats up to 250°C.
- Cast iron lids ensure excellent heat retention.
- Attractive enamel finish.
- Ultra quiet operation.
- User friendly controller.

Range cooker with condensing oil boiler:

- Separate central heating and cooker control.
- SEDBUK Band A internal condensing boiler (steel).
- Available in 26kW and 35kW.

### DIMENSIONS (MM)



	A	B	C	D	E	F	G	H	I	J	K	L	M	N	O	P	Q
Metric (mm)	1020	915	1070	1410	785	985	730	650	80	105	570	80	260	365	362	46	115

FIREBIRD RANGE COOKERS ARE AVAILABLE IN A WIDE RANGE OF COLOURS.



Print colours may not reflect actual colours, check with your local Firebird stockist.

**FIREBIRD'S** oil fired range cookers allow for traditional cooking, perfect for your Sunday roast as well as your homemade favourites.

Our oil fired range cookers are available with a PCDB A rated, highly efficient, condensing boiler. Heat output to the room is equivalent to that of a large double radiator.

The incredible efficiency of the oil fired range cooker is due to the fact that Firebird has over 30 years experience in the heating industry. The condensing boiler is designed as a single boiler unit with two unique heat exchanger units. The additional surface area, aided by the unique patented baffle design, increases the amount of heat extracted from the combustion process and thus reduces the heat wasted to the atmosphere.

When installing a Firebird oil fired range cooker with a condensing boiler, you will be contributing to the reduction of global warming, as well as making considerable savings on your heating bills (up to 30% per annum in comparison to an oil fired range cooker with a conventional boiler).

All our range cookers are made out of cast iron with an attractive enamel finish. The oil fired range cooker with condensing boiler has the facility to control central heating and cook separately at the same time. The user friendly digital controller ensures optimum management.

We also manufacture cookers without an internal boiler.



### INSTALLATION

The range cooker should be installed on a solid floor or on a base of non-combustible material, capable of supporting the total weight of the cooker. Installation should always be carried out by an experienced and competent person and to the standards set out by the current Building Regulations and Electrical Wiring Regulations. Please refer to our installation manual for full details.

### SERVICING

In order to obtain the best efficiency, Firebird recommends that the cooker is serviced once a year by a competent, qualified engineer.

### WARRANTY

This Firebird product is designed and manufactured to give many years of trouble-free service. We offer a 5 year warranty on the cooker and boiler shell and 2 years warranty on all other parts, provided installation has occurred within 12 months from date of purchase. The 5 year cooker and boiler shell warranty consists of labour and parts for the first 3 years and parts only in years 4 and 5. The warranty is conditional on the cooker being commissioned and operated correctly (see instruction manual for terms & conditions).

## TECHNICAL SPECIFICATION

<b>BOILER MODEL</b>		<b>CR26</b>	<b>CR35</b>
Boiler Heat Output	kW	26	35
	Max. BTU/h	88,775	119,504
Efficiency(%)		93.7	93
<b>CONNECTIONS</b>			
Heating Flow		1" BSP	1" BSP
Heating Return		1" BSP	1" BSP
Drain Off Valve		½" BSP	½" BSP
Condensate Trap		10mm braided plastic pipe	10mm braided plastic pipe
<b>WATER CONTENT</b>			
Water Content Boiler (litres)		24	24
<b>FLUE</b>			
Balanced Flue Assembly (mm)		125 (5")	125 (5")
<b>TEMPERATURE CONTROL</b>		Boiler Central Heating Control: 60°C-80°C Oven Temperature Control: 100°C-250°C	Boiler Safety Limit: 110°C ± 3°C Oven Safety Limit: 265°C ± 3°C
<b>HEATING SYSTEM</b> Fit in accordance with BS 7074 Part 1, BS 5449, OFTEC Standards and all other relevant legislation. Boiler Test Pressure - 4.5 bar Safety Valve Operating Pressure - 3 bar			
<b>WATER SIDE RESISTANCE</b>		Flow rate to give a nominal output at:	<b>10k</b> <b>20k</b>
Water Flow Rate (kg/h) CR 26			2232 1121
Water Flow Rate (kg/h) CR 35			3010 1518
<b>WATER RESISTANCE:</b>		<b>mbar</b>	<b>Pa</b>
CR26		207	20700
CR26		52	5200
CR35		375	37500
CR35		98	9800
<b>PRESSURE JET OIL BURNERS</b>		<b>Oven:</b> RDB1	<b>Boiler:</b> RDB 2.2
<b>FUEL</b>		C2 Kerosene	
<b>ELECTRICAL SUPPLY</b>		230V AC 50Hz to be fused at 5A	
<b>WEIGHT</b>			
Empty (kg)		600	600
Full (kg)		624	624
		<b>OVEN BURNER</b>	<b>BOILER BURNER</b>
		<b>C26</b>	<b>C35</b>
Fuel Rate (kg/h)	0.9792	2.244	2.988
Total Heat Input (kW)	11.707	26.897	36.087
Exit Flue Gas Temperature (°C)	158	76	81.3
Exit Flue Gas Mass Flow (kg/s)	0.00716	0.010	0.013
<b>BOILER AND OVEN BURNER</b>			
Exit Flue Gas Mass Flow (kg/s)		0.014	0.017
<b>EMISSIONS BOILER</b>		CO (mg/kWh)	6
		NOx (mg/kWh)	93
<b>EMISSIONS OVEN</b>		CO (mg/kWh)	0
		NOx (mg/kWh)	97



**For information on all Firebird products, please contact your local merchant/builder provider or Firebird.**

**Firebird Heating Solutions Ltd.**  
Údarás Industrial Estate, Baile Mhic Íre,  
Co. Cork, P12 HK51, Ireland.  
**t:** +353 (0)26 45253 **f:** +353 (0)26 45309  
**e:** info@firebird.ie  
**www.firebird.ie**  
**www.firebirdrangecookers.com**

**Firebird Heating Solutions Ltd.**  
Shean, Forkhill,  
Newry, BT35 9SY.  
**t:** +44 (0)28 3088 8330 **f:** +44 (0)28 3088 9096  
**e:** firebirdproducts@hotmail.co.uk  
**www.firebird.ie**  
**www.firebirdrangecookers.com**

**Firebird Heating Solutions Ltd.**  
Phoenix House, Eastern Wood Road, Langlee Ind. Est.,  
Plympton, Plymouth, PL7 5ET, United Kingdom.  
**t:** +44 (0)1752 691177 **f:** +44 (0)1752 691131  
**e:** sales@firebirduk.co.uk  
**www.firebirduk.co.uk**  
**www.firebirdrangecookers.com**

Photographs, Illustrations & Specifications. This catalogue was correct at the time of going to print. However, Firebird's policy is one of continuous development. The right is reserved to change specifications, colour, and prices of the models and items illustrated and described in this publication at any time. Whilst every care has been exercised in the production of this catalogue, Firebird cannot accept any liability for errors or omissions. For the latest details always consult Firebird. BRRCOF005

**WARMTH - TRADITIONAL COOKING - HOT WATER**

**www.firebirdrangecookers.com**